



TruDefinition.<sup>®</sup> **Duration<sup>®</sup> & Oakridge<sup>®</sup> Shingles**  
Bold Contrast. Deep Dimension. TruDefinition.<sup>®</sup>



TruDefinition.<sup>®</sup> **Oakridge<sup>®</sup> Driftwood<sup>†</sup>**

TruDefinition.<sup>®</sup> **Oakridge<sup>®</sup>** and TruDefinition.<sup>®</sup> **Duration<sup>®</sup>** Shingles are components of the Owens Corning<sup>™</sup> Total Protection Roofing System.<sup>™^</sup>

## Two beautiful ways to enjoy truly extraordinary color.

At Owens Corning Roofing, **TruDefinition®** is our color design platform trademark on shingles that are specially formulated to capture the bright, vibrant hues and deep, dramatic shades that showcase the aesthetic appeal of your home. And now, you can enjoy truly bold contrast and rich, deep dimension with **TruDefinition® Oakridge®** Shingles as well as **TruDefinition® Duration®** Shingles with patented **SureNail®** Technology. Both shingle choices use multiple-granule colors and shadowing to provide a spectacular look that will enhance your home and complement its natural surroundings. So no matter which shingle is right for your home, you'll never have to compromise on color.

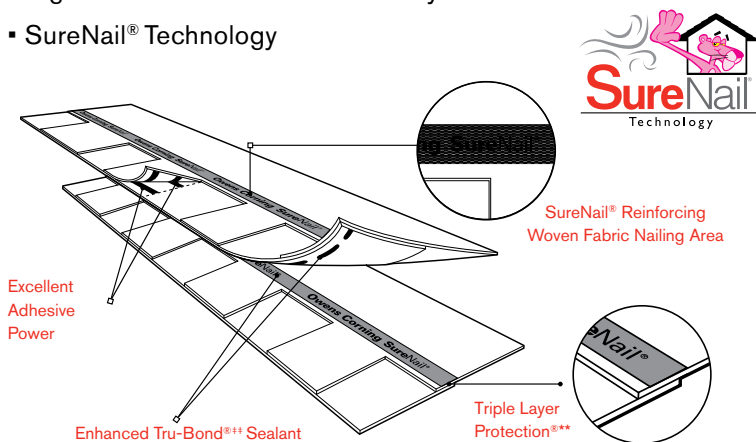


TruDefinition® Duration®  
Brownwood†

### TruDefinition® Duration® Shingles with patented SureNail® Technology

**TruDefinition® Duration®** Shingles feature our patented **SureNail®** Technology — a technological breakthrough in roofing that adds the strength of **Triple Layer Protection®** to your roof.

- Limited Lifetime Warranty\* / †† (for as long as you own your home)
- 130-MPH Wind Resistance Limited Warranty\*
- Algae Resistance Limited Warranty\*
- SureNail® Technology



### TruDefinition® Oakridge® Shingles

**TruDefinition® Oakridge®** Shingles feature the bold contrast and deep dimension of **TruDefinition®** color in a shingle that provides a beautiful step up from traditional three-tab shingles.

- Limited Lifetime Warranty\* / †† (for as long as you own your home)
- 110/130‡ MPH Wind Resistance Limited Warranty\*
- Algae Resistance Limited Warranty\*

\* See actual warranty for complete details, limitations and requirements.

† Owens Corning strives to accurately reproduce photographs of shingles. Due to manufacturing variances, the limitations of the printing process and the variations in natural lighting, actual shingle colors and granule blends may vary from the photo. The pitch of your roof can also impact how a shingle looks on your home. We suggest that you view a roofing display or several shingles to get a better idea of the actual color. To accurately judge your shingle and color choice, we recommend that you view it on an actual roof with a pitch similar to your own roof prior to making your final selection. Color availability subject to change without notice. Ask your professional roofing contractor for samples of colors available in your area.

†† 40-Year Limited Warranty on commercial projects.

‡ 110 MPH is standard with 4-nail application. 130 MPH is applicable only with 6-nail application and Owens Corning™ Starter Shingle products application along eaves and rakes in accordance with installation instructions.

\*\* This illustration depicts **Triple Layer Protection** and the amount of **Triple Layer Protection** may vary on a shingle-to-shingle basis.

‡‡ **Tru-Bond** is a proprietary premium weathering-grade asphalt sealant that is blended by Owens Corning Roofing and Asphalt, LLC.

‡‡‡ International Code Council Evaluation Services Acceptance Criteria for Alternative Asphalt Shingles.

‡‡‡ Underwriters Laboratories Evaluation Service Evaluation Report. **SureNail** Technology U.S. Patent 7,836,654 and other patents pending.

ENERGY STAR and the ENERGY STAR mark are registered trademarks of the U.S. Environmental Protection Agency.

# Available Colors

TruDefinition® **Oakridge®** and  
TruDefinition® **Duration®** colors

Desert Tan†



Brownwood†



Teak†



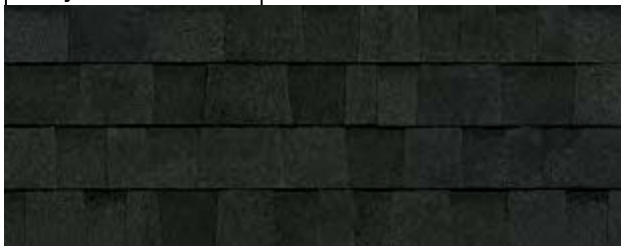
Driftwood†



Estate Gray†



Onyx Black†



Additional  
TruDefinition® **Duration®** colors

Amber†



Sierra Gray†



Shasta White†



Colonial Slate†



Harbor Blue†



Chateau Green†



Terra Cotta†



# TruDefinition® Duration®

## Product Attributes

### Warranty Length\*

Limited Lifetime<sup>††</sup> (for as long as you own your home)

### Wind Resistance Limited Warranty\*

130 MPH

### Algae Resistance Limited Warranty\*

10 Years

### Tru PROtection® Non-Prorated Limited Warranty\* Period

10 Years

## Product Specifications

Nominal Size	13¼" x 39⅞"
Exposure	5⅝"
Shingles per Square	64
Bundles per Square	3
Coverage per Square	98.4 sq. ft.

## Applicable Standards and Codes

ASTM D228

ASTM D3018 (Type 1)

ASTM D3462

ASTM D3161 (Class F Wind Resistance)

ASTM D7158 (Class H Wind Resistance)

ASTM E108/UL 790 (Class A Fire Resistance)

ICC-ES AC438#

UL ER2453-01##

Shasta White color meets ENERGY STARR requirements for initial solar reflectance of 0.25 and 3-year aged solar reflectance of 0.15; 2013 California Building Energy Efficiency Standards, Title 24, Part 6 requirements; rated by the Cool Roof Rating Council (CRRC).

# TruDefinition® Oakridge®

## Product Attributes

### Warranty Length\*

Limited Lifetime<sup>††</sup> (for as long as you own your home)

### Wind Resistance Limited Warranty\*

110/130 MPH<sup>†</sup>

### Algae Resistance Limited Warranty\*

10 Years

### Tru PROtection® Non-Prorated Limited Warranty\* Period

10 Years

## Product Specifications

Nominal Size	13¼" x 39⅞"
Exposure	5⅝"
Shingles per Square	64
Bundles per Square	3
Coverage per Square	98.4 sq. ft.

## Applicable Standards and Codes

ASTM D228

ASTM D3018 (Type 1)

ASTM D3462

ASTM D3161 (Class F Wind Resistance)

ASTM D7158 (Class H Wind Resistance)

ASTM E108/UL 790 (Class A Fire Resistance)

ICC-ES AC438#

UL ER2453-01##

Shasta White color meets ENERGY STARR requirements for initial solar reflectance of 0.25 and 3-year aged solar reflectance of 0.15; 2013 California Building Energy Efficiency Standards, Title 24, Part 6 requirements; rated by the Cool Roof Rating Council (CRRC).



TruDefinition® Duration®  
Estate Gray†

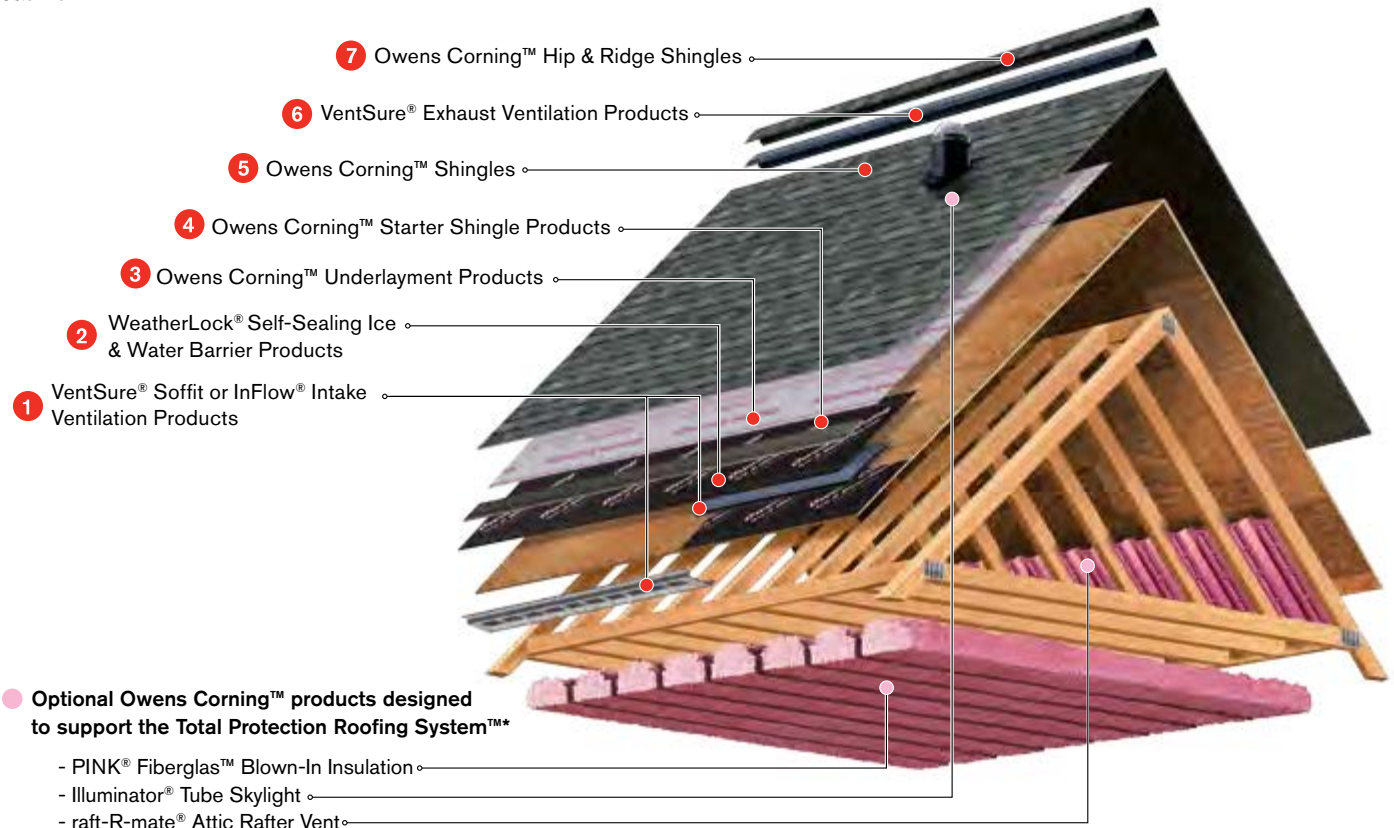


# The Total Protection Roofing System™^

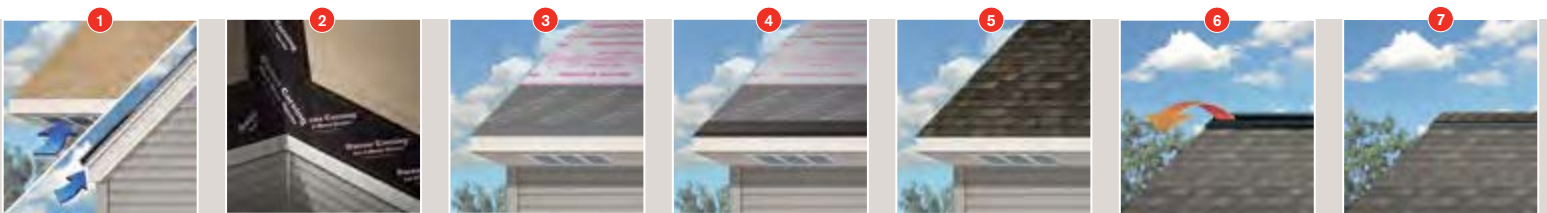
Working together to help protect and enhance your home.

It takes more than just shingles to protect your home. It takes an integrated system of components and layers designed to withstand the forces of nature outside while controlling temperature and humidity inside.

The Owens Corning™ Total Protection Roofing System™^ gives you the assurance that all of your Owens Corning™ roofing components are working together to help increase the performance of your roof — and to enhance the comfort and enjoyment of those who live beneath it.



^Excludes non-Owens Corning™ roofing products such as flashing, fasteners and wood decking.



1 Help protect against heat and moisture buildup by creating a balanced flow of air through your attic.

2 Help protect vulnerable areas where water can do the most damage: eaves, valleys, dormers and skylights.

3 Help prevent damage from wind-driven rain by providing an additional layer of protection between the shingles and roof deck.

4 Enjoy clean lines and faster, easier installation by eliminating the need to cut shingle tabs.

5 Choose from a variety of durable styles and colors that provide the first line of defense against the elements.

6 Help protect your roof against premature failure by allowing heat and moisture to escape from the attic.

7 Help protect the ridge vent and add an attractive, finished look to your entire roof.



**OWENS CORNING ROOFING AND ASPHALT, LLC**  
 ONE OWENS CORNING PARKWAY  
 TOLEDO, OHIO, USA 43659  
**1-800-GET-PINK®**  
[www.owenscorning.com/roofing](http://www.owenscorning.com/roofing)



Pub. No. 10017829-A. Printed in U.S.A. July 2014. THE PINK PANTHER™ & © 1964–2014 Metro-Goldwyn-Mayer Studios Inc. All Rights Reserved. The color PINK is a registered trademark of Owens Corning. © 2014 Owens Corning. All Rights Reserved.

Owens Corning™ Roofing Preferred Contractors are independent contractors and are neither affiliates nor agents of Owens Corning Roofing and Asphalt, LLC, or its affiliated companies. (Houston, Irving)